



HOT250

H250C-SS H250SN-SS H250MBLK-SS

Features

FAUCET

- Hot water faucet
- Self-closing hot valve for automatic shut off
- Handle moves forward to avoid hitting backsplash
- Spout swivels 360° for convenience
- Durable metal construction

TANK

- Includes 2/3-gallon hot water tank
- Easy to adjust temperature control from 160°F to 210°F
- Tool-free tank connections and dry start protection
- 115 volts, 750 watts, 6.5 amps

Finishes

Chrome • Satin Nickel • Matte Black

Warranty

We Come To You® 3-Year In-Home Limited Warranty. Covers parts and labor.

* The complete InSinkErator warranty is included in the Instruction Care & Use manual with each system.

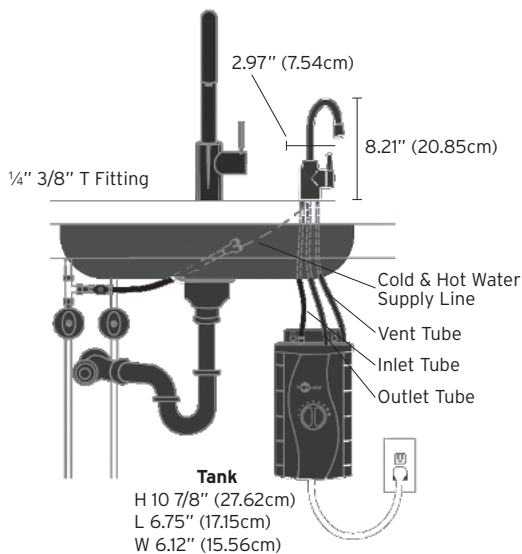
Certifications

NSF/ANSI 372
 ADA Compliant
 NSF/ANSI/CAN 61 Q ≤ 1

Specifications

Supply Connection	1/4" 3/8" T Fitting or Angle Stop Valve
Required Sink Hole Diameter	1 3/8"
Required Supply Pressure	15 psi - 80 psi (1 bar - 5.5 bar; 103 kPa -552 kPa)
Counter Thickness	Maximum of 3" (7.62cm)
Capacity	2/3 Gallon Hot Water Tank
Electrical	115 volts A.C., 750 watts, 6.25 amp heating element with grounded three (3) prong plug
Thermostat	Snap-action, adjustable from 160°F to 210°F (factory pre-set at 200°F. Actual temperature may vary slightly.)
Shipping Weight	8.03 lbs

Dimensions



Job Specifications



1-800-558-5700
www.insinkerator.com

InSinkErator may make improvements and/or changes in the specifications at any time, in its sole discretion, without notice or obligation and further reserves the right to change or discontinue models.

®/TM © 2023 InSinkErator. All rights reserved.