



## STANDARD SERIES

# Badger® 500

### Submittal Sheet

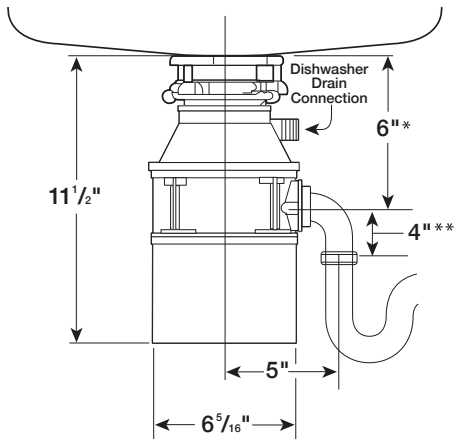
This model offers the following features and benefits:

- **Lift & Latch®** technology for easier sink connection
- 1/2 Horsepower Heavy Duty Motor (Quiet Dura-Drive® Induction Motor)
- **We Come To You®** 3-Year In-Home Limited Warranty
- Rugged Galvanized Steel Construction (For Disposer Durability)
- Space-Saving Compact Design

### Specifications

Type of Feed	Continuous
On/Off Control	Wall Switch
Motor	Single Phase
HP	1/2
Volts	120
HZ	60
RPM	1725
Amp. (Avg. Load)	6.3
Time Rating	Intermittent
Lubrication	Permanently Lubricated Upper & Lower Bearings
Shipping Weight (Approx.)	13 lbs. 10 oz.
Overall Height	11-1/2"
Grind Chamber Capacity	26 oz.
Motor Protection	Manual Reset Overload
Average Water Usage	Approx. 1 Gallon per Person Per Day
Average Electrical Usage	3-4 KWH per Year
Drain Connection	1-1/2" Cushioned Slip Joint
Dishwasher Drain Connection	Yes

### Dimensions



\* Distance from bottom of sink to center line of disposer outlet. Add 1/2" when stainless steel sinks are used.

\*\* Length of tailpipe from center line of disposer outlet to end of tailpipe. NOTE: Plumb waste line to prevent standing water in disposer motor housing.

### Sample Specification

Food Waste Disposer(s) shall be InSinkEerator Badger® 500, continuous feed, with 1/2 HP. motor, stainless steel grinding elements with two stainless steel 360° swivel lugs. Exclusive self-service wrench.

### Warranty

3-Year **We Come to You®** Limited In Home Warranty

\* The complete InSinkEerator warranty is included in the Care & Use Booklet packed with each unit.

### Job Specifications



Food waste is roughly 80% water. By using your disposal regularly, you can help divert food waste from landfills and reduce greenhouse gas emissions. Make sustainability a family affair by using your disposal. After all, the smallest changes can make the biggest impact.



1-800-558-5700  
www.insinkerator.com